

SmartRooms™

Thermal Comfort System
By Therma-Ray

Whether you're a contractor, architect, builder or homeowner, creating the perfect indoor environment has always been an ultimate challenge. Therma-Ray, the world's #1 name in thermal comfort systems introduces you to the ultimate solution, SmartRooms. Please take the time to read this installation guide carefully before you begin. Remember, accurate measurements are the key to success for a proper installation!

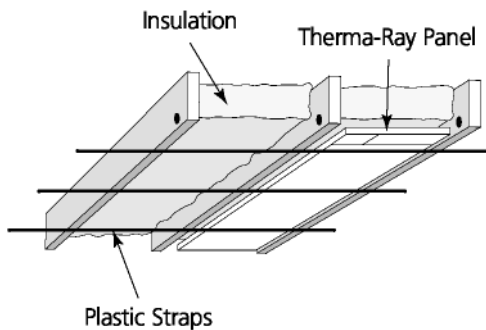


Diagram 1. Therma-Ray panels slide into position easily, below the insulation and above the plastic strapping. The insulation is permitted to come in direct contact with the panel. There is maximum insulation level of R60 that may be installed above the panel. For residential construction consult the local building code for recommended minimum insulation values in your area. It is highly recommended to insulate between floors to obtain maximum efficiency and comfort.

CEILING SYSTEM Installation Guide

MECHANICAL INSTALLATION

Therma-Ray panels are placed between the ceiling framing members, or between the furring strips if the ceiling is cross-furred. Panels are to be installed in open, unobstructed ceiling areas and never above partitions, cupboards, lighting fixtures, track lighting, acoustic tiles, decorative ceiling beams or other items which may restrict the heat transfer of the panels.

During installation the panels can be temporarily held in place by plastic strapping, available from the distributor. **(See Diagram 1)** The suspension system enables the panels to be secured until electrical connections can be made and the finished ceiling installed. Use 3/8 inch (10mm) or longer staples or screws to secure plastic strapping to the underside of framing members or furring strips.

The number of panels needed in an area must equal or exceed the heat-loss calculation for that same area.

BRANCH CIRCUIT CONNECTION

Therma-Ray panels are connected in parallel to the branch circuit. Canadian installation shall be made according to the provision of Section 62 of the Canadian Electrical Code, part 1 and to regulations of all authorities having jurisdiction. U.S. installations are to be made in accordance with the National Electrical Code and local codes where applicable. Installations outside North America should conform with applicable local codes. The heater load, once determined, can be divided into as many circuits as needed. 12 AWG (2.0 mm) copper conductor, non-metallic sheathed cable is recommended for installation of panels. In areas where type NM cable is not permitted, metal enclosures are available for use with rigid or flexible, metallic conduit or tubing. (See Installation Instructions Supplement for Metal Wiring Enclosures.) When determining the number of branch circuits required to accommodate the heating load, note that the branch circuit must be de-rated in accordance with either the Canadian Electrical Code, National Electrical Code, or local codes as applicable. It is not recommended that wire size greater than 12 AWG (2.0 mm) be used to connect the panels to the branch circuit. After the panels are secured in place and the number of branch circuits determined, they are connected to the branch circuit. For proper performance ensure the supply voltage matches the voltage stamped on the panel. **DO NOT connect heating panel to a higher voltage.** Connection to lower voltages is permitted, but will cause the panel to operate at a reduced wattage and may lead to a system with insufficient capacity to heat the intended area. The supply wire of 12 AWG (2.0 mm) non-metallic cable is connected to the transient lead (pigtail lead) of the heater panels with 3M Scotchlok® self-stripping electrical tap connectors (Type 567), **(See Diagram 2)**. Upon completion of

The difference between heat and comfort.

the wiring assembly, the panel connections are visible and available for inspection by local authorities.

PANEL OPERATION TEST

Each heater has been individually checked at the factory. After panel installation, the entire circuit should be tested, to check the on-site electrical work. Two methods of testing will be discussed in the following paragraphs.

Full Power Available – Apply rated voltage to the heater load circuit. Branch loads are to be read with a suitable ammeter. The ammeter value should be the same as that calculated for the heating load and, if the values agree, all panels are operating. If the values do not agree, installation should be re-checked. For a physical check without a meter, it is only necessary to feel the panels. If they are warm, they are working.

Without Power Available – This check of the panel installation requires the use and knowledge of an ohm meter. A resistance measurement is taken at the load circuit, with all other circuits isolated. This will give the total resistance of the heater load. Knowing the total heater load of the panel in watts and heater rated voltage, a simple calculation will give the same values as that read on the ohm meter.

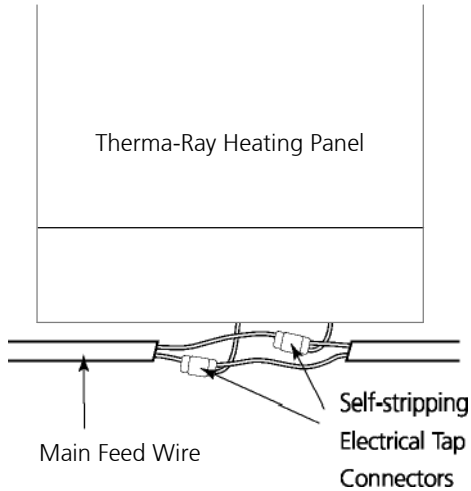
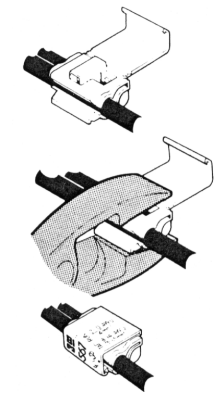
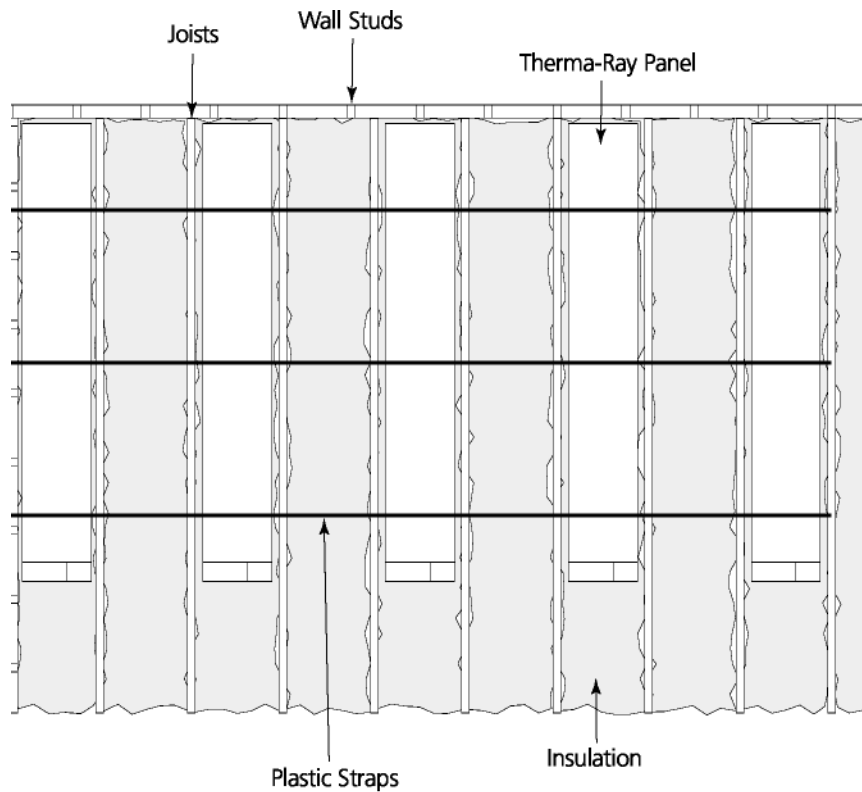


Diagram 2. Connecting the main feed to the individual panel is easily done using tap-on connectors. Note that ONLY the outer insulation jacket of the main feed is removed.



- INSTRUCTIONS**
Use only with insulated wire. Do not strip insulation.
1. Slip circuit (run) wire into side slot. Insert fixture (tap) wire up to stop.
 2. Make connection with 9" electrician's (lineman's) pliers, by driving "U" contact down flush with top of connector.
 3. Close hinged cover until it locks.

View from below



Example: for the branch circuit of 1500 watts and panel rated voltage of 240, the resistance will be 38.4 ohms:

$$\text{Formula: } \frac{\text{voltage} \times \text{voltage}}{\text{wattage}} = \text{resistance in ohms, Example: } \frac{240 \times 240}{1500} = 38.4 \text{ ohm}$$

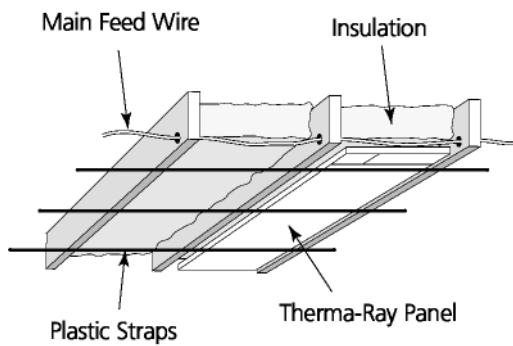


Diagram 3. The main feed wire is run in through the joists, as shown above. Proper positioning of the main feed wire results in easy connecting.

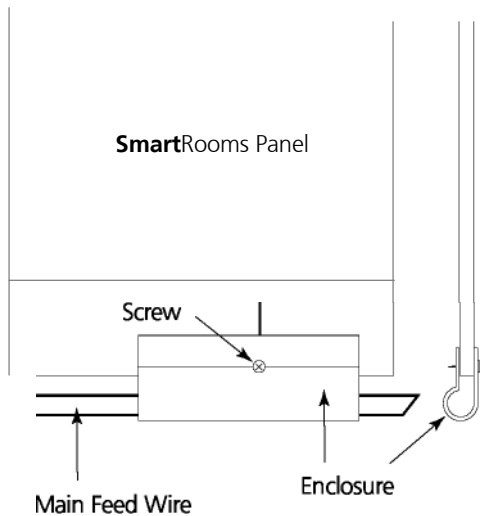


Diagram 4.

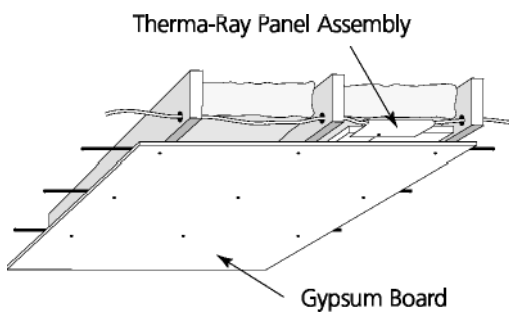


Diagram 5. As soon as the Therma-Ray panels are connected to the main feed and the plaster-filled wiring closures are in place, the final installation of ceiling gypsum board can begin.

FINAL INSTALLATION

After inspection and completion of the equipment check, the wiring enclosure (Endcap) is completely filled with drywall ready-mixed compound, quick-setting drywall compound, or fire-proof caulking compound. The Endcap is then placed over the connector and slid onto the panel. Alternatively, a bulk-loading caulking gun may be used to completely fill the enclosure from each end, after it has been mechanically attached to the panel.

(See Diagram 3)

To attach the Endcap to the panel, slide the Endcap over the panel, connectors and feed wire. Align the hole in the Endcap with the Fastener Line marked on the panel. The Fastener Line is located between (and marks the location of) the two cold panel connection leads. Then use the screw supplied with the Endcap to secure the Endcap to the panel. (Endcap, screw and connectors are available from the distributor for each panel). **(See Diagram 4)**

The use of high quality SmartRooms Comfort Controllers are recommended for proper system performance and warranty. The Comfort Controller has two (2) sensors for the ceiling system. To optimize the ceiling system, a sensor probe (optional) should be installed under one of the heating panels. **(See Diagram 6)** The probe should be taped to a panel between the heating wires. This sensor probe is the high limit probe and is to be connected into the high limit jack on the back of the SmartRooms Controller. The sensor in the controller's face will monitor room temperature.

If a ceiling vapour barrier is used, it may be placed either above or below the panels. It can be placed between the panel and the finished gypsum ceiling. Should polyethylene vapour barriers be used, one certified to Canadian standard CAN/CGSB 51.34-M86 or equivalent is recommended.

Warning sticker must be attached to the electrical service panel. Ensure that all branch circuits supplying radiant heating are clearly marked as such.

Panel installation is now complete and the finished gypsum board can be directly attached to the ceiling framing members, or furring strips, completely enclosing the Therma-Ray panel in the ceiling. **(See Diagram 5)**

CAUTION:

- Panels must be turned off before taping and/or painting ceiling and left off until joint compound has fully cured.
- Therma-Ray panels must not be placed over wood framing members, partitions, cupboards, acoustic tiles, or other obstructions or come in contact with plastic piping.
- Electrician should be consulted before Therma-Ray ceiling is punctured or modified.
- Cellulose insulation is not recommended unless it meets or exceeds standard CGSB 510GP-60M or equivalent and must not contact face of heater panel.
- Use only copper conductor supply wire.
- Oil based paints are not recommended for ceiling application.
- Do not install heating panels in a room over an unheated crawl space unless floor is properly insulated.
- Basement ceiling must be insulated for proper system performance.

RESISTANCE TEST

	220V	230V	240V		220V	230V	240V		220V	230V	240V
WATTS	OHMS	OHMS	OHMS	WATTS	OHMS	OHMS	OHMS	WATTS	OHMS	OHMS	OHMS
105	460.95	503.81	548.57	1300	37.23	40.69	44.30	2700	17.93	19.59	21.33
125	387.20	423.20	460.80	1350	35.85	39.19	42.66	2750	17.60	19.24	20.94
150	322.67	352.67	384.00	1400	34.57	37.79	41.14	2800	17.29	18.89	20.57
175	276.57	302.29	329.14	1450	33.38	36.48	39.72	2850	16.98	18.56	20.21
200	242.00	264.50	288.00	1500	32.27	35.27	38.40	2900	16.69	18.24	19.86
225	215.11	235.11	256.00	1550	31.23	34.13	37.16	2950	16.41	17.93	19.52
250	193.60	211.60	230.40	1600	30.25	33.06	36.00	3000	16.13	17.63	19.20
275	176.00	192.36	209.45	1650	29.33	32.06	34.90	3050	15.87	17.34	18.88
300	161.33	176.33	192.00	1700	28.47	31.12	33.88	3100	15.61	17.06	18.58
350	138.29	151.14	164.57	1750	27.66	30.23	32.91	3150	15.37	16.79	18.28
400	121.00	132.25	144.00	1800	26.89	29.39	32.00	3200	15.13	16.53	18.00
450	107.56	117.56	128.00	1850	26.16	28.59	31.13	3250	14.89	16.28	17.72
500	96.80	105.80	115.20	1900	25.47	27.84	30.31	3300	14.67	16.03	17.45
550	88.00	96.18	104.72	1950	24.82	27.13	29.53	3350	14.45	15.79	17.19
600	80.67	88.17	96.00	2000	24.20	26.45	28.80	3400	14.24	15.56	16.94
650	74.76	81.38	88.61	2050	23.61	25.80	28.09	3450	14.03	15.33	16.69
700	69.14	75.57	82.28	2100	23.05	25.19	27.42	3500	13.83	15.11	16.45
750	64.53	70.53	76.80	2150	22.51	24.60	26.79	3550	13.63	14.90	16.22
800	60.50	66.13	72.00	2200	22.00	24.05	26.18	3600	13.44	14.69	16.00
850	56.94	62.24	67.76	2250	21.51	23.51	25.60	3650	13.26	14.49	15.78
900	53.78	58.78	64.00	2300	21.04	23.00	25.04	3700	13.08	14.30	15.56
950	50.95	55.68	60.63	2350	20.60	22.51	24.50	3750	12.91	14.11	15.36
1000	48.40	52.90	57.60	2400	20.17	22.04	24.00	3800	12.74	13.92	15.15
1050	46.10	50.38	54.85	2450	19.76	21.59	23.51	3850	12.57	13.74	14.96
1100	44.00	48.09	52.36	2500	19.36	21.16	23.04	3900	12.41	13.56	14.76
1150	42.09	46.00	50.08	2550	18.98	20.75	22.58	3950	12.25	13.39	14.58
1200	40.33	44.08	48.00	2600	18.62	20.35	22.15	4000	12.10	13.23	14.40
1250	38.72	42.32	46.08	2650	18.26	19.96	21.73				

SENSOR INSTALLATION

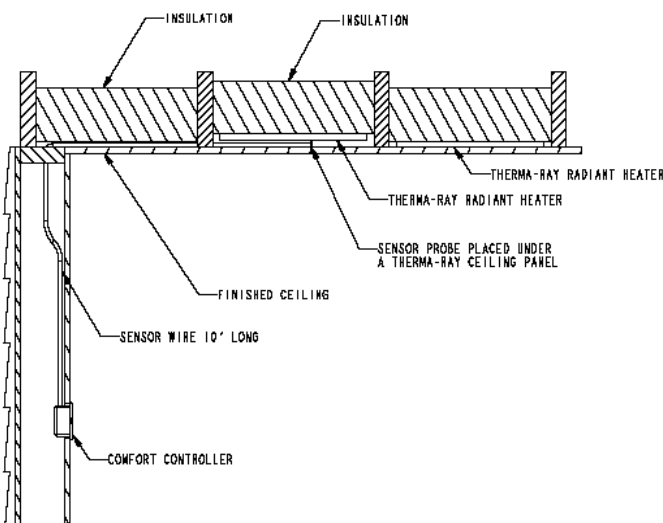


Diagram 6.

CATALOGUE#	WATTS	LENGTH	WIDTH	WEIGHT
RC8A-130-240	130	8	9	12
RC6A-095-240	95	6	9	9
RC4A-070-240	70	4	9	6
RC9B-195-240	195	9	12	18
RC8B-175-240	175	8	12	16
RC7B-150-240	150	7	12	14
RC6B-130-240	130	6	12	12
RC5B-105-240	105	5	12	10
RC4B-085-240	85	4	12	8
RC3B-070-240	70	3	12	6
RC8C-260-240	260	8	18	24
RC6C-195-240	195	6	18	18
RC5C-160-240	160	5	18	15
RC4C-130-240	130	4	18	12
RC3C-095-240	95	3	18	9
RC2C-070-240	70	2	18	6

Revision Feb 2008

Therma-Ray Inc.

670 Wilsey Road, Unit 6
 Fredericton, N.B., Canada E3B 7K4 Tel:
 506-457-4600 Fax 506-457-4699
 E-mail: sales@thermaray.com

100,120, 200, 208, 220, 230, 240, 277 volts available.

ACCESSORIES

PC-1	Endcaps regular
3M567	Connector for #12 wire
RC Strap	Strapping 400/ft
SR-LV	SmartRooms Comfort Controller low voltage
SR-240/120	SmartRooms Comfort Controller c/w power module (240/120 V)

SmartRooms™
 Thermal Comfort System
 By Therma-Ray