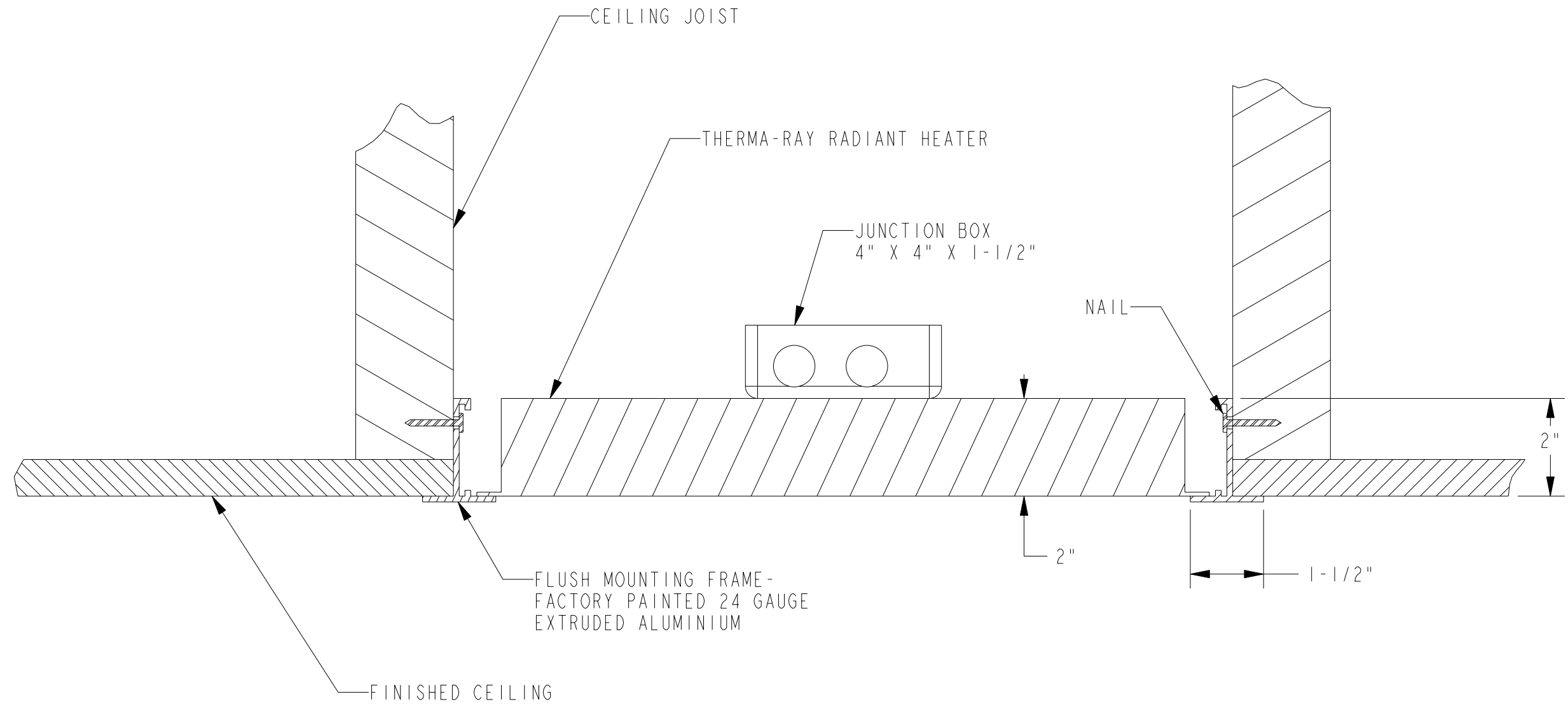


EACH KIT INCLUDES:

- 2 - SIDE PIECES
- 2 - END PIECES
- 4 - CORNER BRACKETS



PROJECT:

MODEL	LENGTH	WIDTH

MODEL NO:	
DATE:	
PROJECTION	
MILLIMETERS	
DIMENSION	
BELOW 152	±0.5
152 TO 610	±1
OVER 610	±2

THE INFORMATION CONTAINED HEREIN IS PROPRIETARY TO THERMA-RAY INC. AND IS TO BE USED BY THE RECIPIENT SOLELY FOR THE PURPOSE FOR WHICH IT IS SUPPLIED. IT SHALL NOT BE DISCLOSED, IN WHOLE OR IN PART, TO ANY OTHER PARTY WITHOUT THERMA-RAY'S PRIOR PERMISSION.

THERMA-RAY INC. 670 WILSEY ROAD, UNIT 6
 FREDERICTON, NB, CANADA, E3B 7K4
 TEL: 506.457.4600 FAX: 506.457.4699

TITLE: **PLASTER FRAME FLUSH MOUNT KIT**

SIZE: B	DRAWING NO.: CAN0013	REVISION: 01
SCALE: 2/5	SHEET 1 OF 1	REVISION DATE: 02/SEP/30